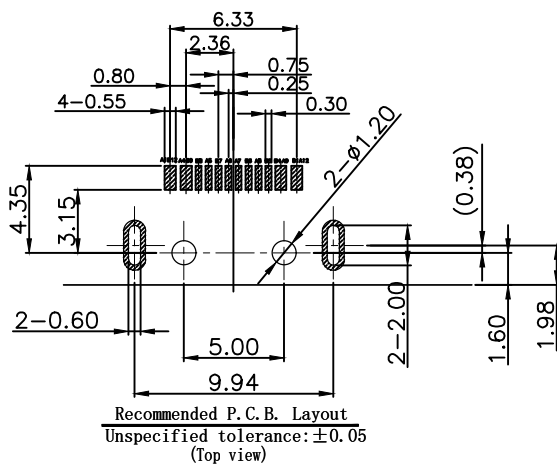
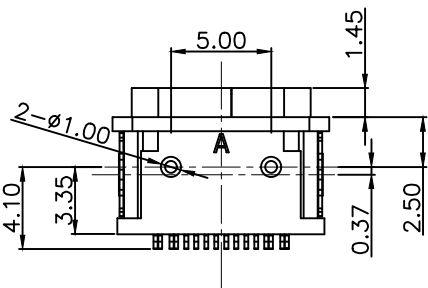
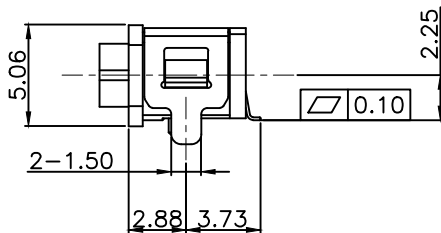
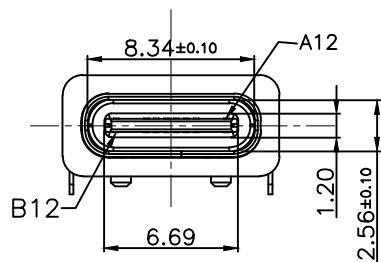
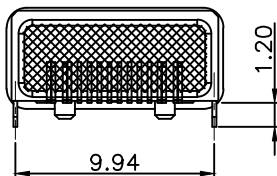
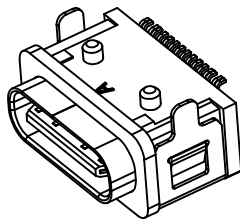
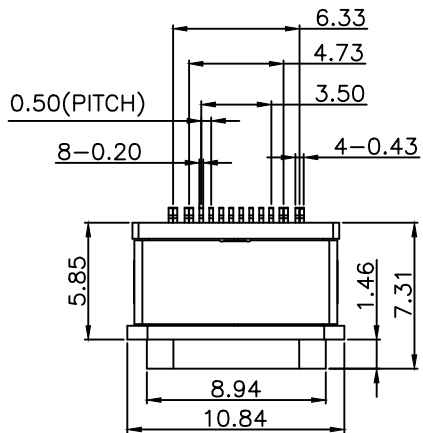


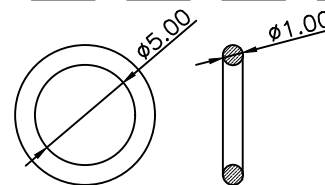


REV	DESCRIPTION	DATE	APPROVED
A	新版发行	2020. 11. 06	HHM

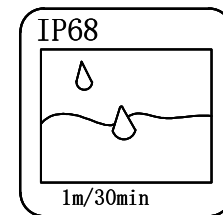


SPECIFICATION:

1. CURRENT RATING: 3.0A MAX
2. DIELECTRIC WITHSTAND VOLTAGE: 100VAC
3. TEMPERATURE RANGE: -30 ° C ~ 85 ° C
4. CONTACT RESISTANCE: 40 MILLIONHM MAX
5. INSULATION RESISTANCE: 100 MEGOHMS MIN.
6. INSERTION FORCE : 5N~20N
7. UNMATING FORCE: 8N~20N
8. DURABILITY:10,000 CYCLES
9. WATER PROOFNESS:THIS PRODUCT IS BASED ON IPX8.



注：防水圈是圆形截面，直径为1.0mm的硅胶圈，防水圈挤压量，由1.0mm挤压到0.5mm ~ 0.6mm，防水效果好



5	Shell2	1	SUS301 Ni Plating	Ni:40u"Min;
4	Shell1	1	SUS301 Ni Plating	Ni:40u"Min;
3	Housing2	1	PA10T(G.F30%)	
2	Contact	16	Phosphor bronze C7025 Au/Ni Plating	Ni:40u"Min; Au:CONTACT AREA:1u", OTHER AREA:G/F
1	Housing	1	PA10T (G.F30%)	
ITEM	PART NAME	Q' TY	FINISH	NOTE

CUSTOMER DRAWING		
UNITS mm	SCALE 1:1	SHEET 1 OF 1
PROJECTION: 	DRAW: DAP	
GENERAL TOLERANCE	CHECK: HWT	
.000 ±0.20	APPD: HHM	
.00 ±0.30		
.0 ±0.50		
.0 ±2°		
.0 ±1°		

铭创科技（东莞）有限公司 Mingchuang Technology (Dongguan) Co., Ltd.		
TITLE 防水TYPE C母座16PIN 板上两脚插板SMT L=7.3 全塑		
MAT'L SEE TABLE	FINISH SEE TABLE	
DWG. NO. B09W1601A	PART NO.	SIZE A4

A1	GND	B12	GND
A4	VBUS	B9	VBUS
A5	CC1	B8	SBU2
A6	DP1	B7	DN2
A7	DN1	B6	DP2
A8	SBU1	B5	CC2
A9	VBUS	B4	VBUS
A12	GND	B1	GND
PIN	SIGNAL NAME	PIN	SIGNAL NAME