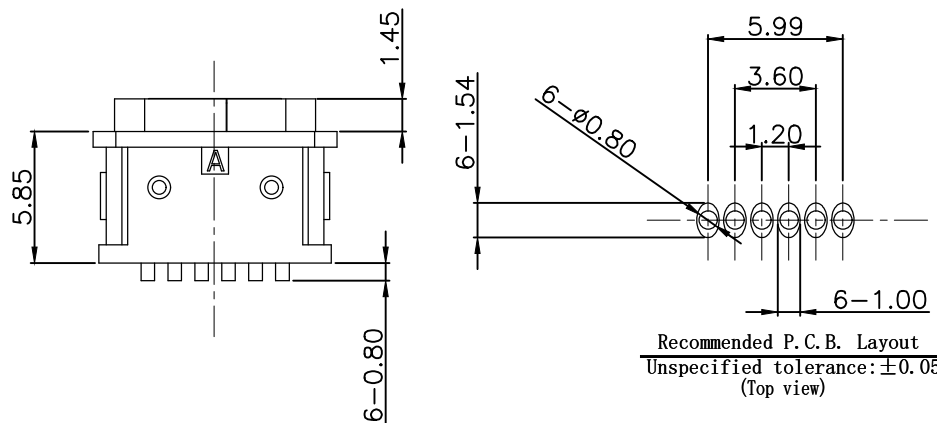
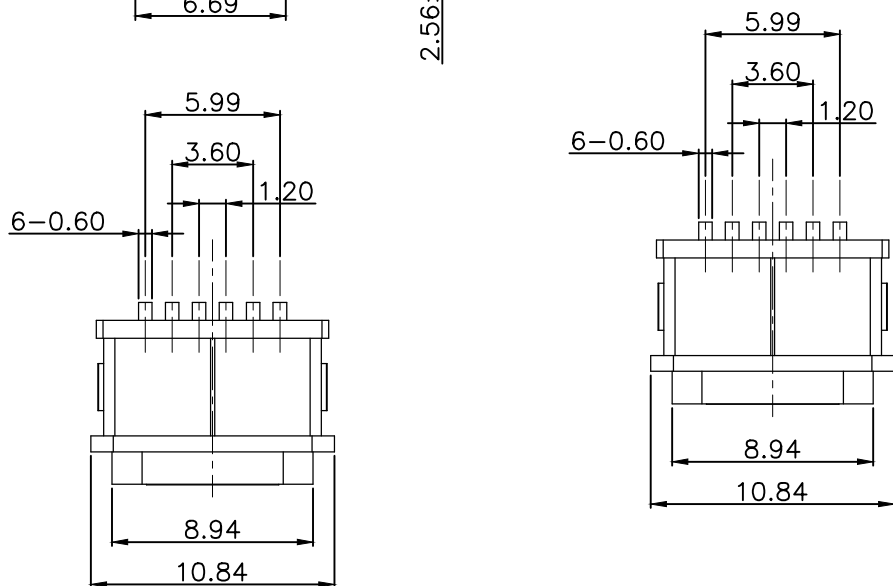
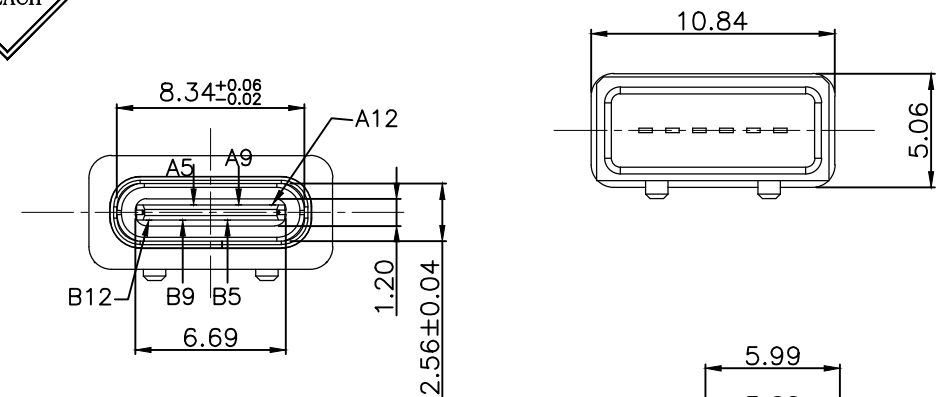


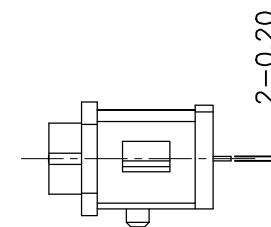
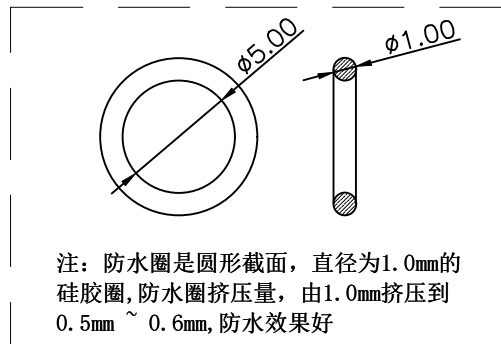


REV	DESCRIPTION	DATE	APPROVED
A	新版发行	2020.05.18	HHM



SPECIFICATION:

- CURRENT RATING: 3.0A MAX
- DIELECTRIC WITHSTAND VOLTAGE: 100VAC
- TEMPERATURE RANGE: -30 ° C ~ 85 ° C
- CONTACT RESISTANCE: 40 MILLIONHM MAX
- INSULATION RESISTANCE: 100 MEGOHMS MIN.
- INSERTION FORCE : 5N~20N
- UNMATING FORCE: 8N~20N
- DURABILITY:10,000 CYCLES
- WATER PROOFNESS:THIS PRODUCT IS BASED ON IPX7.



A5	CC1	B12	GND
A9	VBUS	B9	VBUS
A12	GND	B5	CC2
PIN	SIGNAL NAME	PIN	SIGNAL NAME

4	Shell1	1	SUS301 Ni Plating T=0.25mm	Ni:40u*Min;
3	Housing2	1	PA10T (G. F30%)	
2	Contact	5	Phosphor bronze C5210R-EH	Ni:40u*Min; Au:CONTACT AREA:1u*, OTHER AREA:G/F
	Housing	1	PA10T (G. F30%)	
ITEM	PART NAME	Q'TY	FINISH	NOTE

CUSTOMER DRAWING			铭创科技(东莞)有限公司 Mingchuang Technology (Dongguan) Co., Ltd.		
UNITS mm	SCALE 1:1	SHEET 1 OF 1	TITLE 防水TYPE C母座6PIN 立式插板DIP L=7.3 无外壳脚 全塑		
PROJECTION: 	DRAW: DAP	CHECK: HWT	MAT'L SEE TABLE	FINISH SEE TABLE	
GENERAL TOLERANCE 0. ±0.50 0.0 ±0.20 0.00 ±0.10 0.° ±1° 0.0° ±0.5°	APPD: HHM	DWG. NO. B09W0606A	PART NO.	SIZE A4	