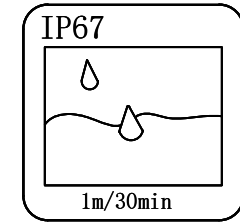
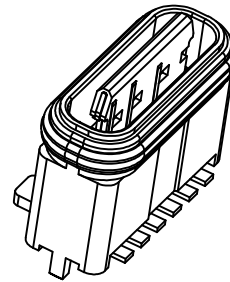
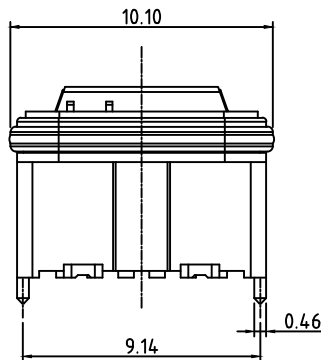
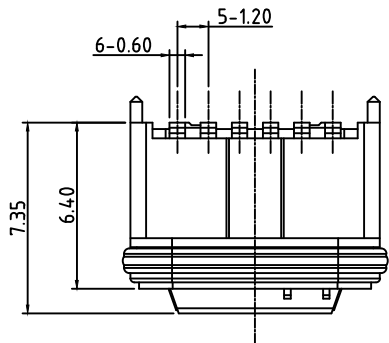


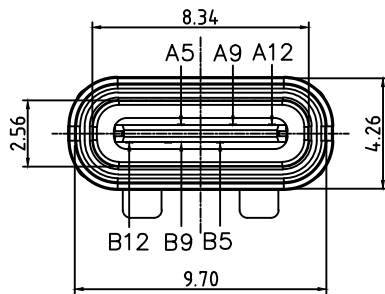
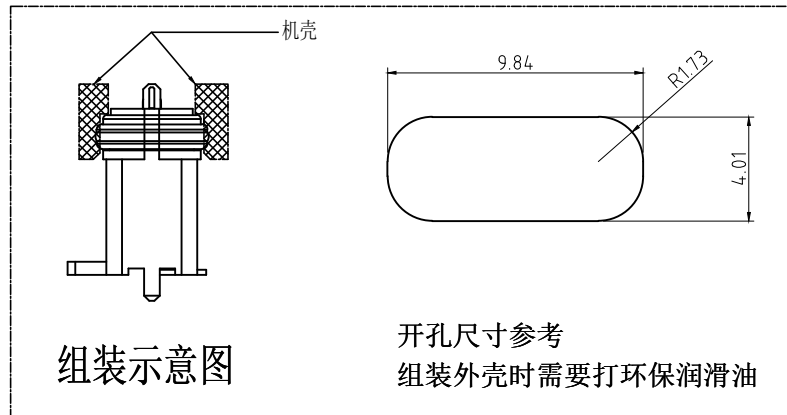
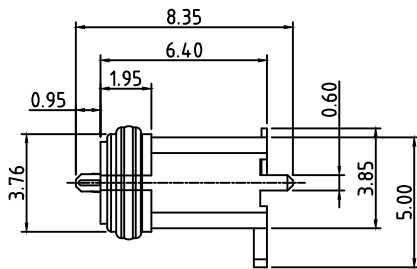


REV	DESCRIPTION	DATE	APPROVED
A	新版发行	2021.08.08	HHM



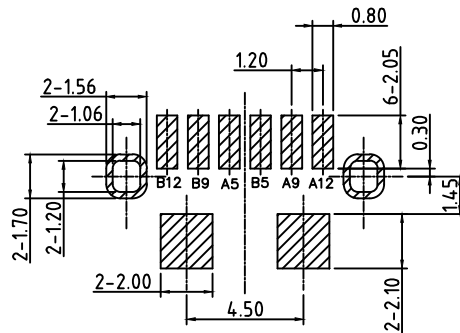
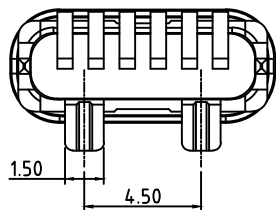
SPECIFICATIONS:

- ELECTRICAL CHARACTERISTICS:
 - RATING: 3A;
 - CONTACT RESISTANCE: 30 mΩ MAX. (INITIAL);
 - DIELECTRIC WITHSTANDING: 100V AC MIN.;
 - INSULATION RESISTANCE: 100MΩ MIN.;
- DURABILITY: 5,000 CYCLES MIN.;
- INSERTION FORCE: 5-20N;
- EXTRACTION FORCE: 6-20N;
- WATER PROOFNESS: THIS PRODUCT IS BASED ON IPX7.
- PLUG INTERFACE DIMENSIONS COMFORM TO USB2.0 SPEC.
- PACKAGING: TAPE & REEL.



A5	CC1	B12	GND
A9	VBUS	B9	VBUS
A12	GND	B5	CC2
PIN	SIGNAL NAME	PIN	SIGNAL NAME

3	Shell	1	Ni Plating	
2	Contact	6	Phosphor bronze Au/Ni Plating T=0.20mm	
1	Housing	1	PA10T (G. F30%)	
ITEM	PART NAME	Q' TY	FINISH	NOTE



RECOMMENDED P. C. B LAYOUT
TOP VIEW (TOLRANCE: ±0.05)

CUSTOMER DRAWING			铭创科技（东莞）有限公司 Mingchuang Technology (Dongguan) Co., Ltd.		
UNITS mm	SCALE 1:1	SHEET 1 OF 1	TITLE 防水TYPE C母座6PIN 立式四脚插板SMT L=6.4 舌片外露 带贴板脚 锌合金		
PROJECTION: 	DRAW: DAP	CHECK: HWT	MAT'L SEE TABLE	FINISH SEE TABLE	
GENERAL TOLERANCE X. ±0.50 .X ±0.30 .XX ±0.10 X.° ±2° .X ° ±1°	APPD: HHM	DWG. NO. B09W0608A	PART NO.	SIZE A4	