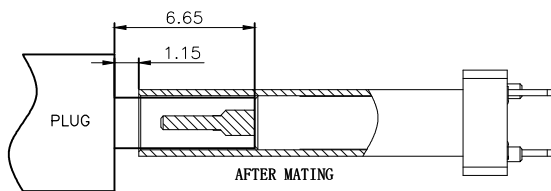
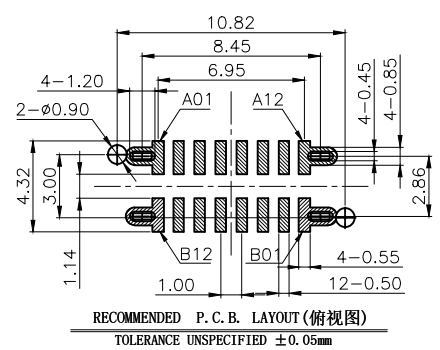
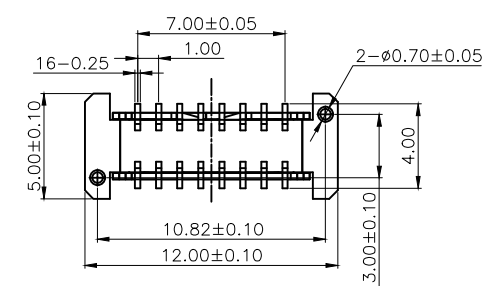
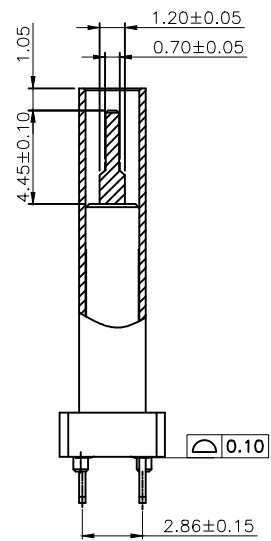
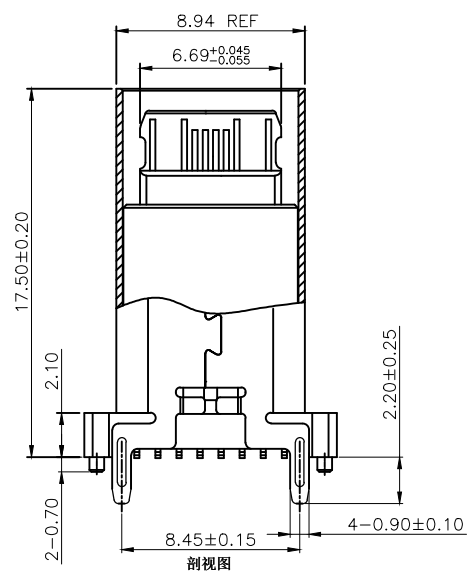
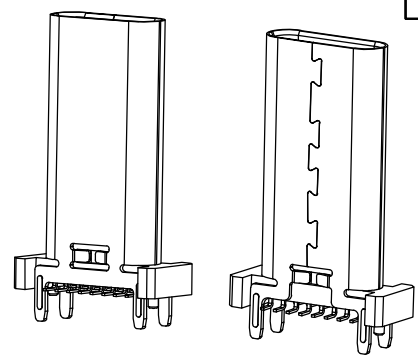
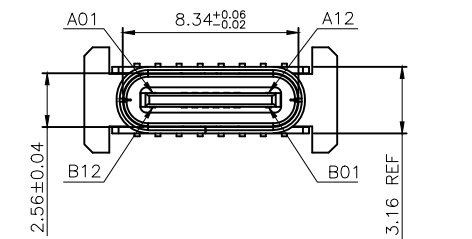




REV	DESCRIPTION	DATE	APPROVED
A	新版发行	2023.07.18	HHM

SPECIFICATION:

- ELECTRICAL:
  - CURRENT RATING:5A;
  - CONTACT RESISTANCE:40mΩ Max;
  - DIELECTRIC WITHSTANDING VOLTAGE:100V AC;
  - INSULATION RESISTANCE:100 MΩ MIN;
- MECHANICAL:
  - MATING FORCE:5~20N;
  - UNMATING FORCE:8~20N;
  - DURABILITY:10000 CYCLES;6~20N AFTER DURABILITY TEST;
- MATERIAL:
  - HOUSING&MOLDING:BLACK LCP UL94V-0;
  - TERMINAL:C7025 T=0.15mm;
  - SHELL:SUS304 T=0.30mm;
  - MID PLATE:SUS304 T=0.15mm;
- PLATING SPECIFICATION:
  - TERMINAL:CONTACT POINT GOLD PLATED 3u" MIN  
PIN WELDING AREA GOLD PLATED 1u" MIN.
  - SHELL:PLATED Ni 60u" MIN(Salt spray 48H)
- ELECTROPLATED PRODUCTS NEED TO UNDERGO TIN ADHESION TESTING: THE TIN ADHESION AREA SHOULD REACH OVER 95%.
- SMT REFLOW SOLDERING (PEAK VALUE 260 ° C ± 5 ° C)  
SHALL BE FREE OF BLISTERING, GLUE MELTING AND POOR COLOR CHANGE (DEFORMATION WITHIN TOLERANCE)
- OPERATING TEMPERATURE: -40° C~+85° C



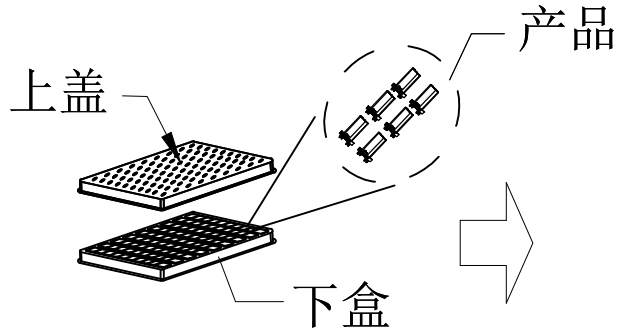
A1	GND	B12	GND
A4	VBUS	B9	VBUS
A5	CC1	B8	SBU2
A6	D+	B7	D-
A7	D-	B6	D+
A8	SBU1	B5	CC2
A9	VBUS	B4	VBUS
A12	GND	B1	GND
PIN	SIGNAL NAME	PIN	SIGNAL NAME

CUSTOMER DRAWING		
UNITS mm	SCALE 1:1	SHEET 1 OF 2
PROJECTION: 	DRAW: DAP	
GENERAL TOLERANCE	CHECK: HWT	
.000 ±0.15	APPD: HHM	
.00 ±0.20		
.0 ±0.25		
.0 ±2°		
.00 ±1°		

铭创科技 (东莞) 有限公司 Mingchuang Technology (Dongguan) Co., Ltd.		
TITLE TYPE C母座16PIN 立式四脚插板SMT L=17.5 A款		
MAT'L SEE TABLE	FINISH SEE TABLE	
DWG. NO. A031603A	PART NO.	SIZE A4



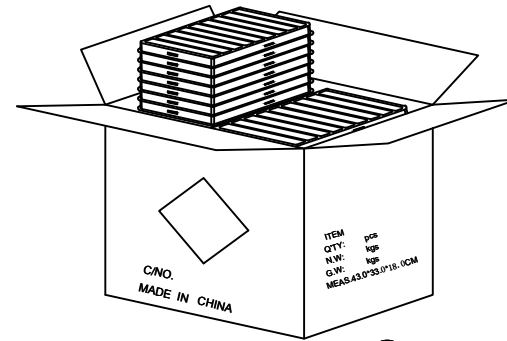
REV	DESCRIPTION	DATE	APPROVED
A	新版发行	2023.07.18	HHM



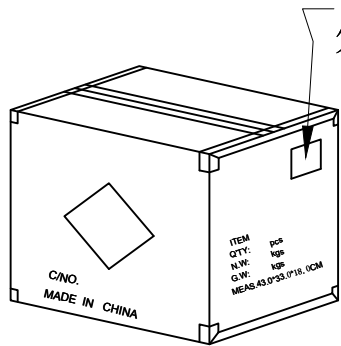
① PE真空盒(1Set).



② 100Pcs/盒

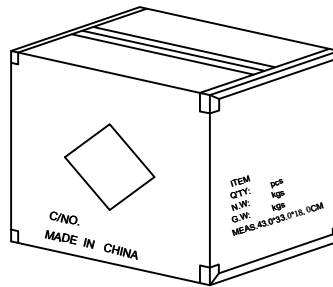


③ 50盒/箱(5k).

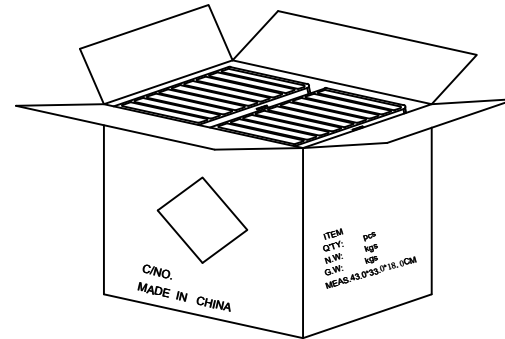


⑥ 依图示粘贴产品或RoHS标签.

外箱物料标签



⑤ 外箱用透明胶纸带封“工”字型.



④ 每箱竖放25盒\*2,若尾数箱在空间处加装填充物.

04	纸箱	B-05-0004	430mm*330mm*180mm	1 PCS
03	上盖	B-01-0001	PET透明 T0.3*L305*W205*H11mm	50 PCS
02	下盒	B-01-0002	PET透明 T0.3*L305*W205*H11mm	50 PCS
01	连接器	A031603A	16PIN, SMT	5000 PCS
序号	物料名称	物料编号	规格	描述

CUSTOMER DRAWING			铭创科技(东莞)有限公司 Mingchuang Technology (Dongguan) Co., Ltd.		
UNITS mm	SCALE 1:1	SHEET 2 OF 2	TITLE TYPE C母座16PIN 立式四脚插板SMT L=17.5 A款		
PROJECTION: 	DRAW: DAP		MAT'L SEE TABLE	FINISH SEE TABLE	
GENERAL TOLERANCE .000 ±0.15 .00 ±0.20 .0 ±0.25 .0 ±2° .00 ±1°		CHECK: HWT	DWG. NO. A031603A		
		APPD: HHM	PART NO. _____	SIZE A4	