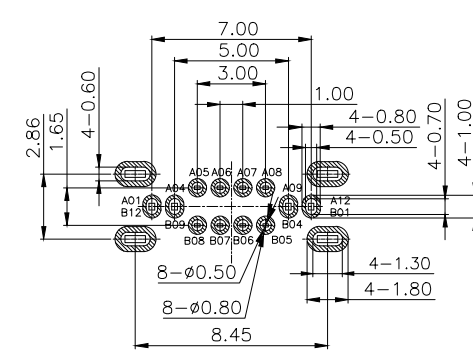
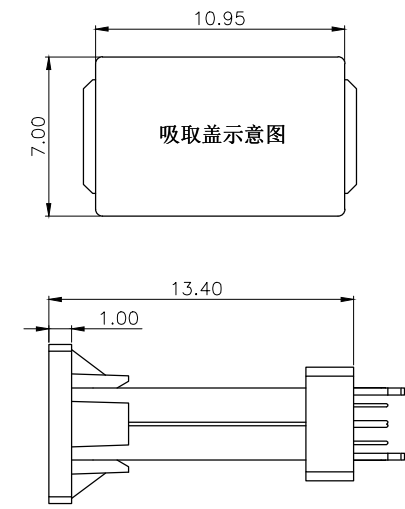
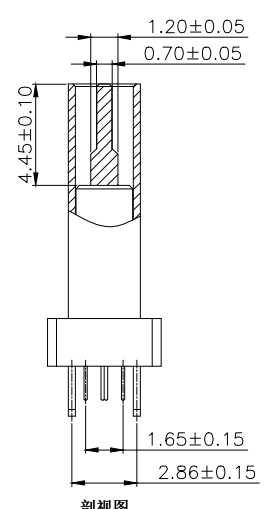
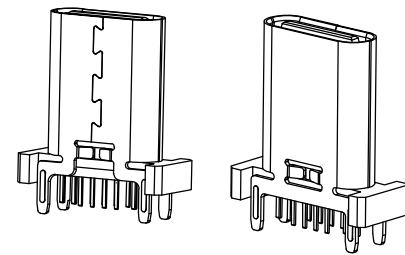
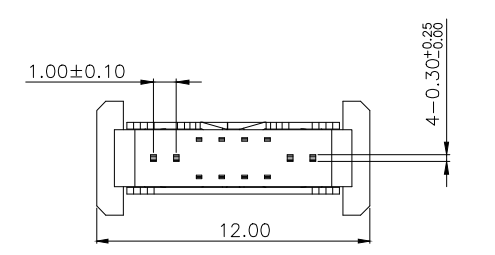
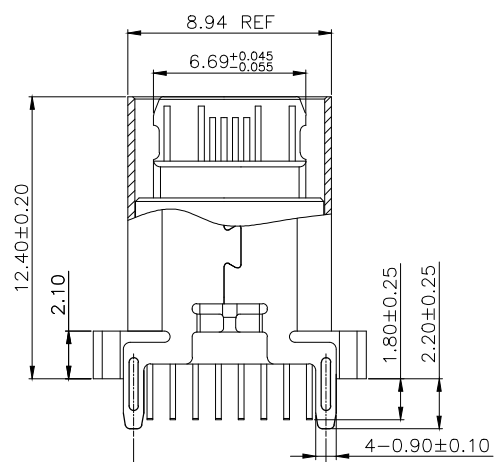
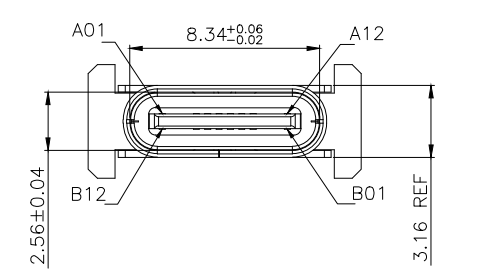


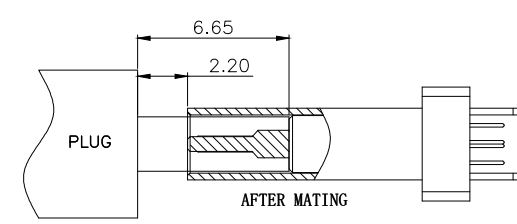


REV	DESCRIPTION	DATE	APPROVED
A	新版发行	2023.07.18	HHM

- SPECIFICATION:
- ELECTRICAL:
    - CURRENT RATING: 5A;
    - CONTACT RESISTANCE: 40mΩ Max;
    - DIELECTRIC WITHSTANDING VOLTAGE: 100V AC;
    - INSULATION RESISTANCE: 100 MΩ MIN;
  - MECHANICAL:
    - MATING FORCE: 5~20N;
    - UNMATING FORCE: 8~20N;
    - DURABILITY: 10000 CYCLES; 6~20N AFTER DURABILITY TEST;
  - MATERIAL:
    - HOUSING&MOLDING: LCP BLACK UL94V-0;
    - TERMINAL: C7025 T=0.15mm;
    - SHELL: SUS304 T=0.30mm;
    - MID PLATE: SUS304 T=0.15mm;
  - PLATING SPECIFICATION:
    - TERMINAL: CONTACT POINT GOLD PLATED 3u" MIN  
PIN WELDING AREA GOLD PLATED 1u" MIN.
    - NI 40U" MIN. UNDER PLATED OVER ALL.
    - SHELL: PLATED NI 50U" MIN (SALT SPRAY 48H)
  - ELECTROPLATED PRODUCTS NEED TO UNDERGO TIN ADHESION TESTING: THE TIN ADHESION AREA SHOULD REACH OVER 95%.
  - SMT REFLOW SOLDERING (PEAK VALUE 260 ° C ± 5 ° C) SHALL BE FREE OF BLISTERING, GLUE MELTING AND POOR COLOR CHANGE (DEFORMATION WITHIN TOLERANCE)
  - OPERATING TEMPERATURE: -40° C~+85° C



RECOMMENDED P.C.B. LAYOUT (俯视图)  
TOLERANCE UNSPECIFIED ±0.05mm



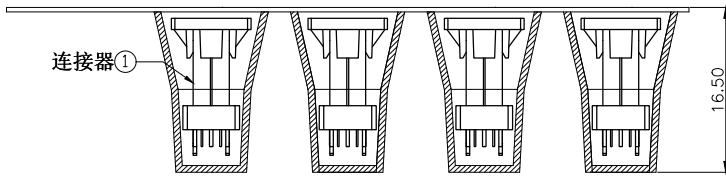
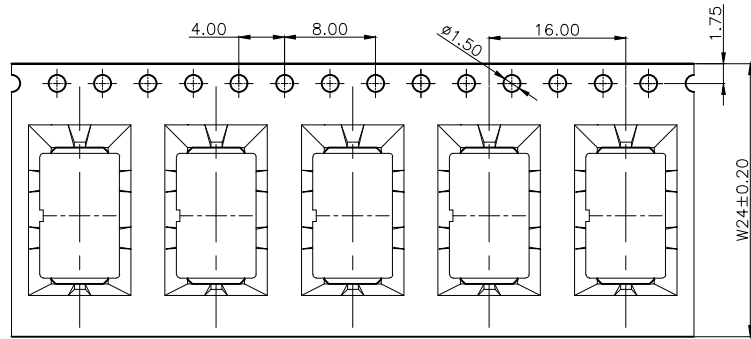
A1	GND	B12	GND
A4	VBUS	B9	VBUS
A5	CC1	B8	SBU2
A6	D+	B7	D-
A7	D-	B6	D+
A8	SBU1	B5	CC2
A9	VBUS	B4	VBUS
A12	GND	B1	GND
PIN	SIGNAL NAME	PIN	SIGNAL NAME

CUSTOMER DRAWING		
UNITS mm	SCALE 1:1	SHEET 1 OF 2
PROJECTION: 	DRAW: DAP	
GENERAL TOLERANCE .000 ±0.15 .00 ±0.20 .0 ±0.25 .0 ±2° .00 ±1°	CHECK: HWT	MAT'L SEE TABLE
	APPD: HHM	DWG. NO. A031620A

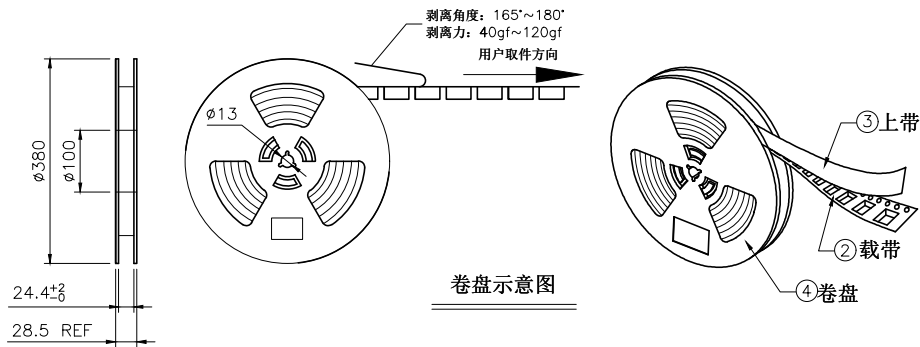
铭创科技（东莞）有限公司 Mingchuang Technology (Dongguan) Co., Ltd.	
TITLE TYPE C母座16PIN 立式四脚插板DIP L=12.4 A款	
MAT'L SEE TABLE	FINISH SEE TABLE
DWG. NO. A031620A	PART NO. _____ SIZE A4



REV	DESCRIPTION	DATE	APPROVED
A	新版发行	2023.07.18	HHM

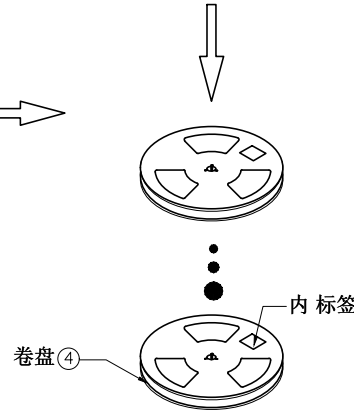


产品入载带示意图

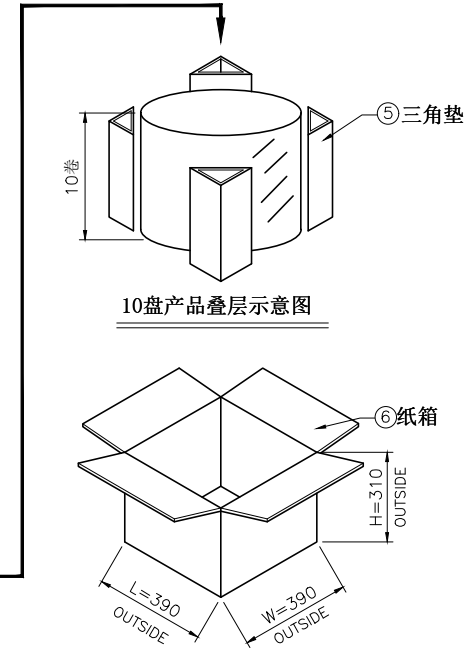


卷盘示意图

包装示意图



卷盘贴标签示意图



06	纸箱	B-05-0012	390mm*390mm*310mm	1 PCS
05	三角垫	/	300mm*260mm*7mm	4 PCS
04	卷盘	/	D=380mm, d=100mm, H=28.5mm	10 PCS
03	上带	/	W=21.3mm, T=0.05mm	6144 mm
02	载带	B-03-0035	W=24mm, T=0.50mm, P=16.0mm	6144 mm
01	连接器	A031620A	16PIN, DIP	3700 PCS
序号	物料名称	物料编号	规格	描述

CUSTOMER DRAWING			铭创科技(东莞)有限公司 Mingchuang Technology (Dongguan) Co., Ltd.		
UNITS mm	SCALE 1:1	SHEET 2 OF 2	TITLE		
PROJECTION: 		DRAW: DAP	TYPE C母座16PIN 立式四脚插板DIP L=12.4 A款		
GENERAL TOLERANCE		CHECK: HWT	MAT'L SEE TABLE	FINISH SEE TABLE	
.000 ±0.15	.00 ±0.20	APPD: HHM	DWG. NO. A031620A	PART NO.	SIZE A4
.0 ±0.25	.0 ±2°				
.0 ±1°					