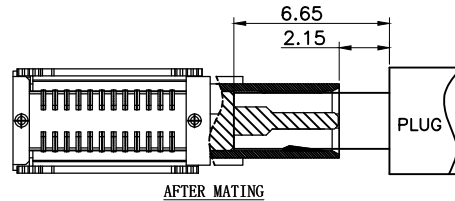
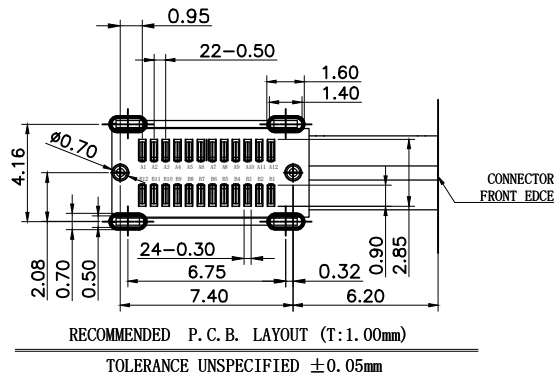
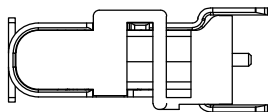
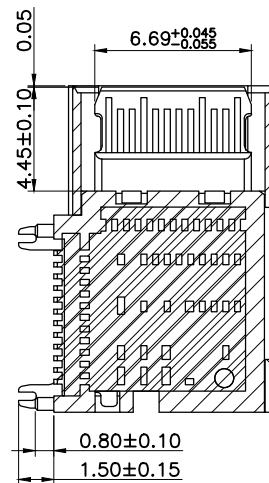
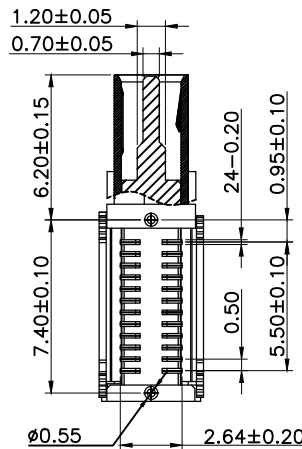
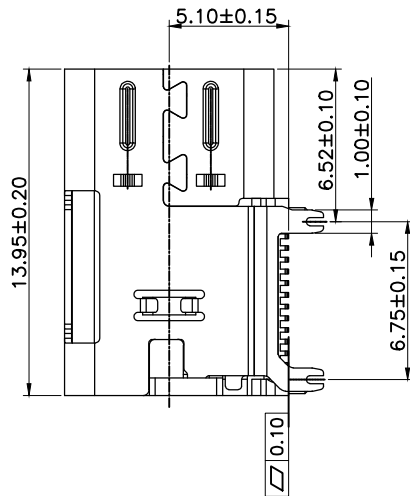


3D VIEW



SPECIFICATION:

- 一、 ELECTRICAL:
  1. CURRENT RATING: 5A;
  2. CONTACT RESISTANCE: 40mΩ Max;
  3. DIELECTRIC WITHSTANDING VOLTAGE: 100V AC;
  4. INSULATION RESISTANCE: 100 MΩ MIN;
- 二、 MECHANICAL:
  1. MATING FORCE: 5~20N;
  2. UNMATING FORCE: 8~20N;
  3. DURABILITY: 10000 CYCLES; 6~20N AFTER DURABILITY TEST;
- 三、 MATERIAL:
  1. HOUSING&MOLDING: LCP UL94V-0;
  2. TERMINAL: C18400 T=0.15mm;
  3. SHELL: SUS304 T=0.30mm;
  4. MID PLATE: SUS301 T=0.15mm;
- 四、 PLATING SPECIFICATION:
  1. TERMINAL: CONTACT POINT GOLD PLATED 3u" Min  
PIN WELDING AREA GOLD PLATED 1u" Min.
  2. NI 40u" Min. UNDER PLATED OVER ALL.
  3. SHELL: PLATED Ni 50u" Min (Salt spray 48H)
- 五、 ELECTROPLATED PRODUCTS NEED TO UNDERGO TIN ADHESION TESTING: THE TIN ADHESION AREA SHOULD REACH OVER 95%.
- 六、 SMT REFLOW SOLDERING (PEAK VALUE 260 ° C ± 5 ° C)  
SHALL BE FREE OF BLISTERING, GLUE MELTING AND POOR COLOR CHANGE (DEFORMATION WITHIN TOLERANCE)
- 七、 OPERATING TEMPERATURE: -40° C~+85° C

A1	GND	B12	GND
A2	TX1+	B11	RX1+
A3	TX1-	B10	RX1-
A4	VBUS	B9	VBUS
A5	CC1	B8	SBU2
A6	D+	B7	D-
A7	D-	B6	D+
A8	SBU1	B5	CC2
A9	VBUS	B4	VBUS
A10	RX2-	B3	TX2-
A11	RX2+	B2	TX2+
A12	GND	B1	GND
PIN	SIGNAL NAME	PIN	SIGNAL NAME

REV	DESCRIPTION	DATE	APPROVED
A	新版发行	2024.07.12	HHM

CUSTOMER DRAWING		
UNITS mm	SCALE 1:1	SHEET 1 OF 2
PROJECTION: 	DRAW: DAP	
GENERAL TOLERANCE .000 ±0.15 .00 ±0.20 .0 ±0.25 .0 ±2° .00 ±1°	CHECK: HWT	MAT'L SEE TABLE
	APPD: HHM	DWG. NO. A032412A
		PART NO. _____
		SIZE A4

<b>铭创科技（东莞）有限公司</b> Mingchuang Technology (Dongguan) Co., Ltd.	
TITLE TYPE C母座24PIN 侧贴四鱼叉脚插板SMT L=14.3 CH=5.10	
MAT'L SEE TABLE	FINISH SEE TABLE
DWG. NO. A032412A	PART NO. _____
	SIZE A4

